

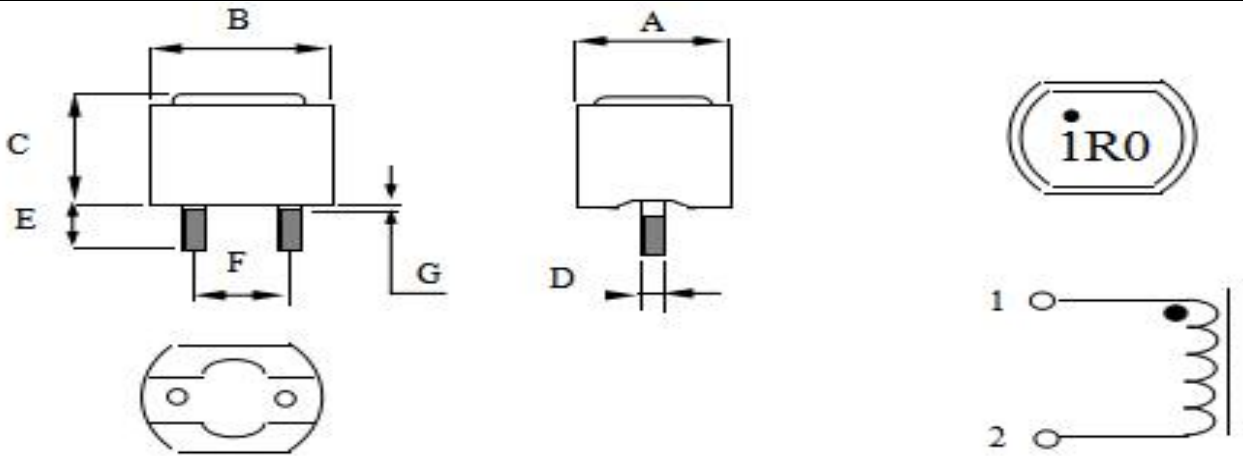
## 产品应用范围



# 深圳市华利进电子有限公司

Shenzhen huali jin electronics co., LTD

## DIP POWER INDUCTORS: HLJ76VC-Series



Series	A: 7.5 Max	B: 9.5Max	C: 8.5Max	D: By P/N ± 0.1	E: 3.4 ± 0.5
HLJ76VC-Series	F: 6.0 ± 0.5	G: 1.0Max			
Part Number	L0 Inductance (μH) ±20%	Heat Rating Current DC Amps.IDC(A)	Saturation Current	DCR MΩ TYPICAL 25 ° C	DCR mΩ MAX 25 ° C
			Part Number DC Amps. Isat ( A )		
HLJ76VC-R22M	0.22	19.0	25.0	1.0	1.4
HLJ76VC-R47M	0.47	17.0	21.0	2.0	2.2
HLJ76VC-R47M-A2	0.47	18.0	22.0	1.6	2.0
HLJ76VC-R56M	0.56	17.0	19.0	1.9	2.4
HLJ76VC-1R0M	1.0	13.0	15.0	3.4	5.0
HLJ76VC-2R2M	2.2	11.5	12.0	5.2	5.9
HLJ76VC-2R8M	2.8	11.0	12.0	6.1	6.9
HLJ76VC-3R3M	3.3	9.0	6.5	9.5	11.0
HLJ76VC-4R7M	4.7	7.0	6.0	14.3	16.0
HLJ76VC-6R8M	6.8	6.0	5.5	19.6	21.5
HLJ76VC-100M	10.0	5.5	4.0	25.0	27.5

\*: you require another part number please contact with us.

\*\*: Inductance Tolerance ± 20%

Note 1: All test data is referenced to 25°C ambient.

Note 2: Idc : DC current (A) that will cause an approximate ΔT of 40°C

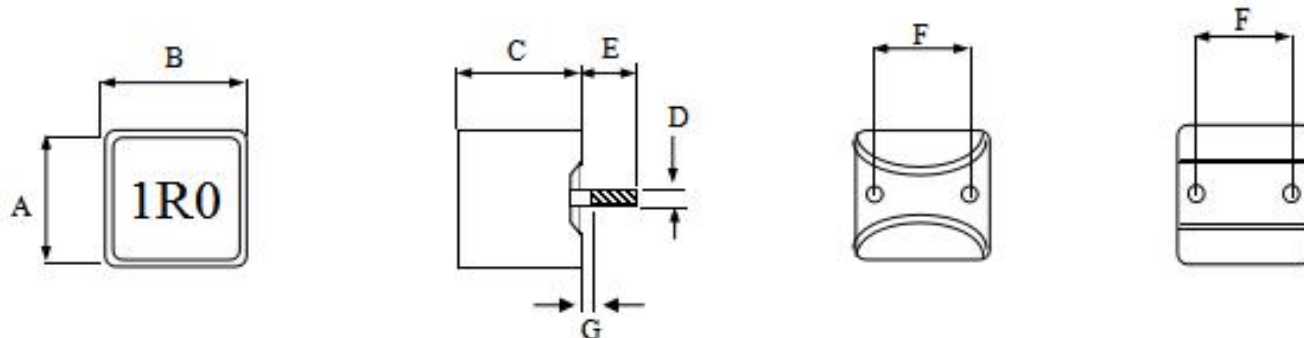
Note 3: Isat : DC current (A) that will cause Lo to drop approximately 20%

# 深圳市华利进电子有限公司

Shenzhen huali jin electronics co., LTD

## DIP POWER INDUCTORS: HLJ07-Series

### 1. DIMENSION (UNIT:mm)尺寸:



Series	A: 7.4 ± 0.5	B: 7.4± 0.5	C: 7.5/8.5( Max)		D: By P/N ± 0.1
HLJ07-Series	E: 3.4 ± 0.5	F: 5.0 ± 0.5	G: 1.0( Max)		
Part Number	L0 Inductance (μH) ±20%	Heat Rating Current DC Amps.IDC(A)	Saturation Current	DCR MΩ TYPICAL 25 ° C	DCR mΩ MAX 25 ° C
			Part Number DC Amps. Isat ( A )		
HLJ0707-1R0M	1.0	13.0	20.0	3.4	4.0
HLJ0707-1R5M	1.5	14.0	18.0	5.4	6.0
HLJ0707-2R2M	2.2	11.0	12.0	5.6	6.5
HLJ0707-3R3M	3.3	9.0	10.0	8.5	10.0
HLJ0707-4R7M	4.7	7.0	6.0	14.5	17.0
HLJ0708-1R0M(印)	1.0	13.0	20.0	3.4	4.0
HLJ0708-2R2M(印)	2.2	11.0	12.0	5.6	6.5
HLJ0708-3R3M(印)	3.3	9.0	10.0	8.5	10.0
HLJ0708-4R7M(印)	4.7	7.0	6.0	14.5	17.0
HLJ0709-1R2M(印)	1.2	15.0	20.0	3.9	4.2
HLJ0709-1R6M(印)	1.6	14.0	18.0	5.4	5.8

\*: you require another part number please contact with us.

\*\*: Inductance Tolerance ± 20%

Note 1: All test data is referenced to 25°C ambient.

Note 2: Idc : DC current (A) that will cause an approximate ΔT of 40°C

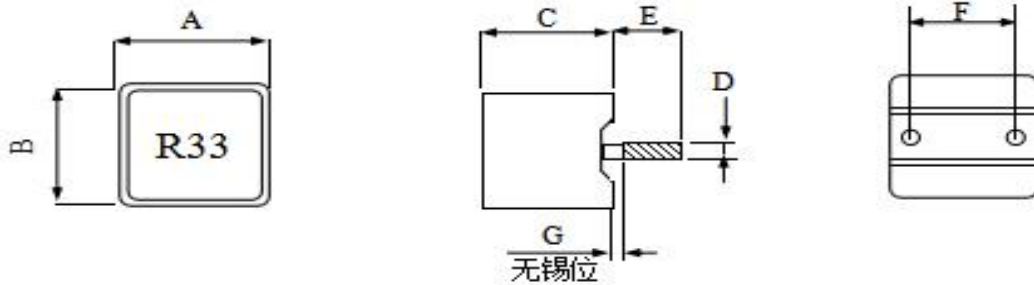
Note 3: Isat : DC current (A) that will cause Lo to drop approximately 20%

# 深圳市华利进电子有限公司

Shenzhen huali jin electronics co., LTD

## DIP POWER INDUCTORS: HLJ0808P-Series

### 1. DIMENSION (UNIT:mm)尺寸:



Series	A: 8.5 ± 0.5	B: 8.5 ± 0.5	C: 8.0 (Max)		D: By P/N ± 0.1
HLJ0808P-Series	E: 3.4 ± 0.5	F: 5.0 ± 0.5	G: 1.0 (Max)		
Part Number	L0 Inductance (μH) ±20%	Heat Rating Current DC Amps.IDC(A)	Saturation Current	DCR MΩ TYPICAL 25 ° C	DCR mΩ MAX ° C
			Part Number DC Amps. Isat ( A )		
HLJ0808-R22M-P	0.22	25.0	28.0	1.8	2.0
HLJ0808-R33M-P	0.33	22.0	26.0	2.4	2.8
HLJ0808-R36M-P	0.36	22.0	26.0	2.4	2.8
HLJ0808-R56M-P	0.56	20.0	22.0	3.0	3.6
HLJ0808-R68M-P	0.68	18.0	20.0	3.2	3.8
HLJ0808-1R0M-P	1.00	16.0	17.0	4.0	4.8
HLJ0808-1R2M-P	1.20	16.0	17.0	4.0	4.8
HLJ0808-1R5M-P	1.50	14.0	15.0	5.0	5.5
HLJ0808-2R2M-P	2.20	13.0	14.0	5.6	6.2
HLJ0808-3R3M-P	3.30	9.0	10.0	6.3	7.0
HLJ0808-4R7M-P	4.70	7.0	8.0	7.2	8.2

\*: you require another part number please contact with us.

\*\*: Inductance Tolerance ± 20%

Note 1: All test data is referenced to 25°C ambient.

Note 2: Idc : DC current (A) that will cause an approximate ΔT of 40°C

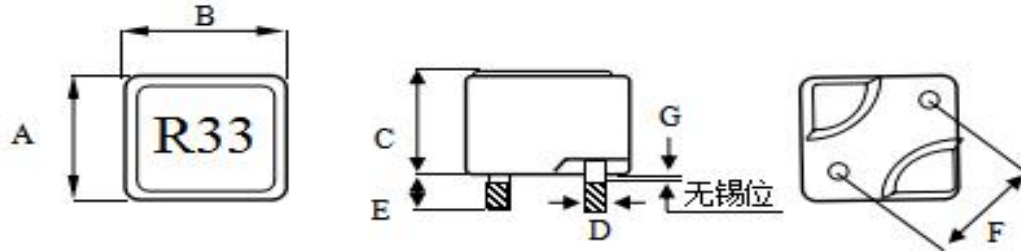
Note 3: Isat : DC current (A) that will cause Lo to drop approximately 20%

# 深圳市华利进电子有限公司

Shenzhen huali jin electronics co., LTD

DIP POWER INDUCTORS: HLJ0808X-Series

1. DIMENSION (UNIT:mm)尺寸:



Series	A: 8.5 ± 0.5	B: 8.5 ± 0.5	C: 8.0 (Max)		D: By P/N ± 0.1
HLJ0808X-Series	E: 3.4 ± 0.5	F: 6.8 ± 0.5	G: 1.0 (Max)		
Part Number	L0 Inductance (µH) ±20%	Heat Rating Current DC Amps.IDC(A)	Saturation Current	DCR MΩ TYPICAL 25 ° C	DCR mΩ MAX ° C 25
			Part Number DC Amps. Isat ( A )		
HLJ0808-R22M-X	0.22	25.0	28.0	1.8	2.0
HLJ0808-R33M-X	0.33	22.0	26.0	2.4	2.8
HLJ0808-R36M-X	0.36	22.0	26.0	2.4	2.8
HLJ0808-R56M-X	0.56	20.0	22.0	3.0	3.6
HLJ0808-R68M-X	0.68	18.0	20.0	3.2	3.8
HLJ0808-1R0M-X	1.00	16.0	17.0	4.0	4.8
HLJ0808-1R2M-X	1.20	16.0	17.0	4.0	4.8
HLJ0808-1R5M-X	1.50	14.0	15.0	5.0	5.5
HLJ0808-2R2M-X	2.20	13.0	14.0	5.6	6.2
HLJ0808-3R3M-X	3.30	9.0	10.0	6.3	7.0
HLJ0808-4R7M-X	4.70	7.0	8.0	7.2	8.2

\*: you require another part number please contact with us.

\*\* : Inductance Tolerance ± 20%

Note 1: All test data is referenced to 25°C ambient.

Note 2: Idc : DC current (A) that will cause an approximate ΔT of 40°C

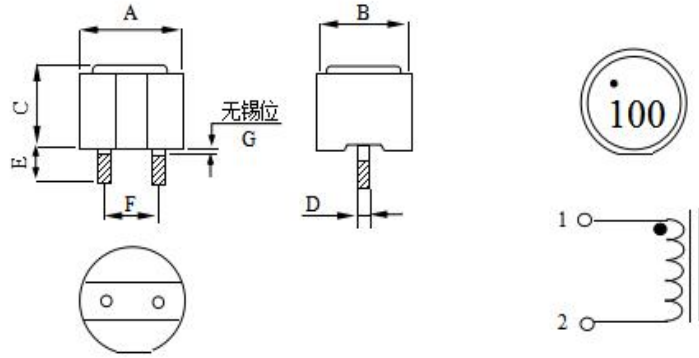
Note 3: Isat : DC current (A) that will cause Lo to drop approximately 20%

# 深圳市华利进电子有限公司

Shenzhen huali jin electronics co., LTD

DIP POWER INDUCTORS: HLJ0808-Series

1. DIMENSION (UNIT:mm)



Series	A: 8.8 (MAX)	B: 8.5 (MAX)	C: 10.0 (Max)		D: By P/N ± 0.1
HLJ0808-Series	E: 3.4 ± 0.5	F: 5.0 ± 0.5	G: 1.0 (Max)		
Part Number	L0 Inductance (μH) ± 20%	Heat Rating Current DC Amps.IDC(A)	Saturation Current	DCR MΩ TYPICAL 25 ° C	DCR mΩ MAX ° C
			Part Number DC Amps. Isat ( A )		
HLJ0808-100M	10.00	5.0	5.8	24.0	29.0
HLJ0808-150M	15.00	5.5	4.0	31.5	38.0
HLJ0808-220M	22.00	4.0	4.5	42.0	49

\*: you require another part number please contact with us.

\*\*: Inductance Tolerance ± 20%

Note 1: All test data is referenced to 25°C ambient.

Note 2: Idc : DC current (A) that will cause an approximate ΔT of 40°C

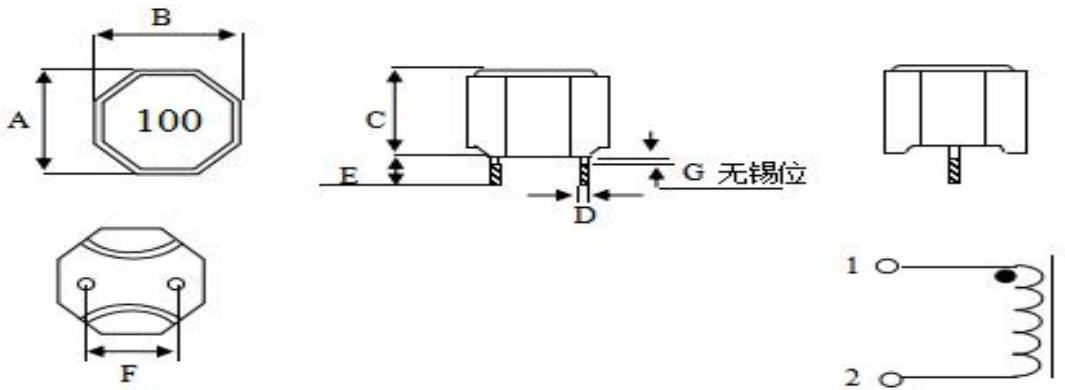
Note 3: Isat : DC current (A) that will cause Lo to drop approximately 20%

# 深圳市华利进电子有限公司

Shenzhen huali jin electronics co., LTD

## DIP POWER INDUCTORS: HLJ0808B-Series

DIMENSION (UNIT:mm)



Series	A: 8.0 ± 0.5	B: 8.0± 0.5	C: 10.0( Max)		D: By P/N ± 0.1
HLJ0808B-Series	E: 3.4 ± 0.5	F: 5.0 ± 0.5	G: 1.0( Max)		
Part Number	L0 Inductance (μH) ±20%	Heat Rating Current DC Amps.IDC(A)	Saturation Current	DCR MΩ TYPICAL 25 ° C	DCR mΩ MAX ° C
			Part Number DC Amps. Isat ( A )		
HLJ0808-100M-B	10.00	5.0	5.8	24.0	29.0
HLJ0808-150M-B	15.00	5.5	4.0	31.5	38.0
HLJ0808-220M-B	22.00	4.0	4.5	42.0	49

\*: you require another part number please contact with us.

\*\*: Inductance Tolerance ± 20%

Note 1: All test data is referenced to 25°C ambient.

Note 2: Idc : DC current (A) that will cause an approximate ΔT of 40°C

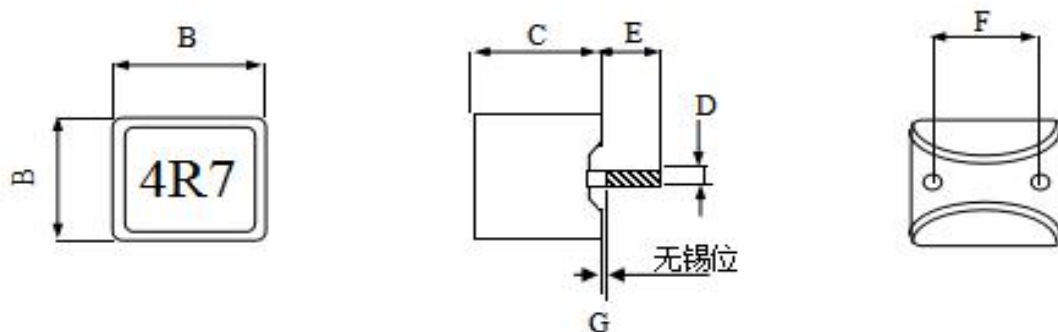
Note 3: Isat : DC current (A) that will cause Lo to drop approximately 20%

# 深圳市华利进电子有限公司

Shenzhen huali jin electronics co., LTD

DIP POWER INDUCTORS: HLJ0910-Series

DIMENSION (UNIT:mm)尺寸:



Series	A: 9.0 ± 0.5	B: 9.0± 0.5	C: 10.0( Max)		D: By P/N ± 0.1
HLJ0910-Series	E: 3.4 ± 0.5	F: 6.0 ± 0.5	G: 1.0( Max)		
Part Number	L0 Inductance (μH) ±20%	Heat Rating Current DC Amps.IDC(A)	Saturation Current	DCR MΩ TYPICAL 25 ° C	DCR mΩ MAX 25 ° C
			Part Number DC Amps. Isat ( A )		
HLJ0910-4R7M	4.70	5.0	10.0	14.0	17.0
HLJ0910-100M	10.00	7.0	9.0	15.0	16.0
HLJ0910-100M-1	10.00	4.0	9.0	16.0	17.0

\*: you require another part number please contact with us.

\*\*: Inductance Tolerance ± 20%

Note 1: All test data is referenced to 25°C ambient.

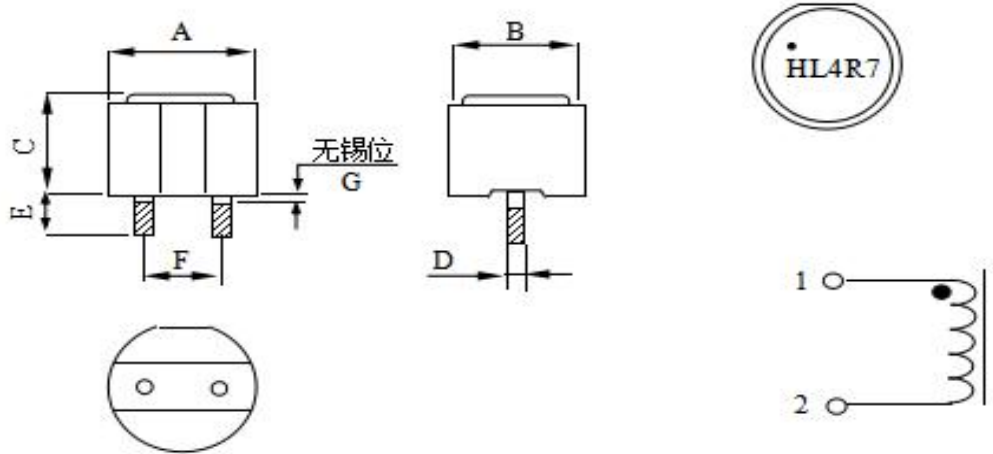
Note 2: Idc : DC current (A) that will cause an approximate ΔT of 40°C

Note 3: Isat : DC current (A) that will cause Lo to drop approximately 20%

# 深圳市华利进电子有限公司

Shenzhen huali jin electronics co., LTD

## DIP POWER INDUCTORS: HLJ1010-Series



Series	A: 11.0 (MAX)	B: 10.0 (MAX)	C: 11.0 (Max)	D: By P/N ± 0.1	
HLJ1010-Series	E: 3.4 ± 0.5	F: 5.0 ± 0.5	G: 1.0 (Max)		
Part Number	L0 Inductance (μH) ± 20%	Heat Rating Current DC Amps.IDC(A)	Saturation Current	DCR MΩ TYPICAL 25 ° C	DCR mΩ MAX 25 ° C
			Part Number DC Amps. Isat ( A )		
HLJ1010-4R7M	4.70	9.0	13.0	10.0	12.0
HLJ1010-6R8M	6.80	8.0	11.0	14.2	16.0
HLJ1010-100M	10.00	7.0	9.0	18.3	22.0
HLJ1010-150M	15.00	5.0	9.0	31.0	35.0
HLJ1010-220M	22.00	7.0	5.5	27.8	33.0
HLJ1010-330M	33.00	4.5	5.5	50.0	54.0

\*: you require another part number please contact with us.

\*\*: Inductance Tolerance ± 20%

Note 1: All test data is referenced to 25°C ambient.

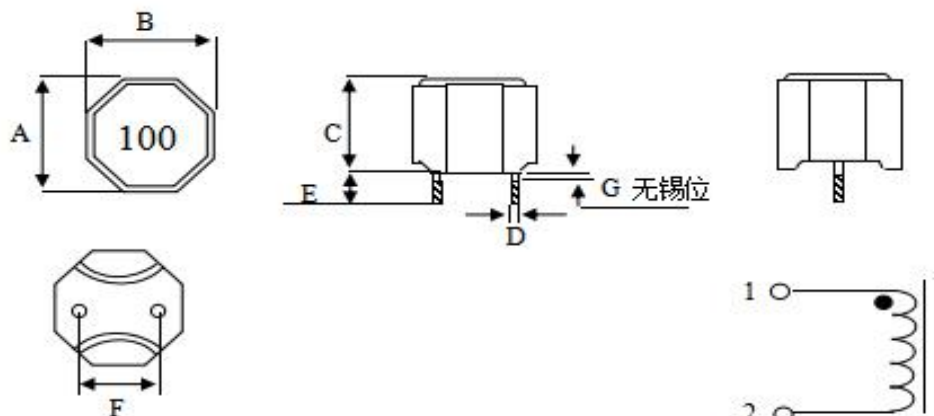
Note 2: Idc : DC current (A) that will cause an approximate ΔT of 40°C

Note 3: Isat : DC current (A) that will cause Lo to drop approximately 20%

# 深圳市华利进电子有限公司

Shenzhen huali jin electronics co., LTD

DIP POWER INDUCTORS: HLJ1010B-Series



Series	A: 10.0 ± 0.5	B: 10.0± 0.5	C: 10.0/11.0/12.0 ( Max)		D: By P/N ± 0.1
HLJ1010B-Series	E: 3.4± 0.5	F: 6.0± 0.5	G: 1.0 ( Max)		
Part Number	L0 Inductance (μH) ±20%	Heat Rating Current DC Amps.IDC(A)	Saturation Current	DCR MΩ TYPICAL 25 ° C	DCR mΩ MAX ° C
			Part Number DC Amps. Isat ( A )		
HLJ1010-4R7M-B	4.70	9.0	11.0	8.9	12.0
HLJ1010-6R8M-B	6.80	9.0	12.0	14.6	18.0
HLJ1010-100M-B	10.00	7.5	10.0	18.3	22.0
HLJ1010-150M-B	15.00	7.0	8.0	22.6	26.0
HLJ1010-220M-B	22.00	6.0	6.0	27.8	33.0
HLJ1012-220M-B	22.00	7.0	7.0	27.8	33.0
HLJ1010-330M-B	33.00	4.5	5.5	50.0	54.0
HLJ1080-330M-B	33.00	4.0	6.0	64.0	71.0

\*: you require another part number please contact with us.

\*\*: Inductance Tolerance ± 20%

Note 1: All test data is referenced to 25°C ambient.

Note 2: Idc : DC current (A) that will cause an approximate ΔT of 40°C

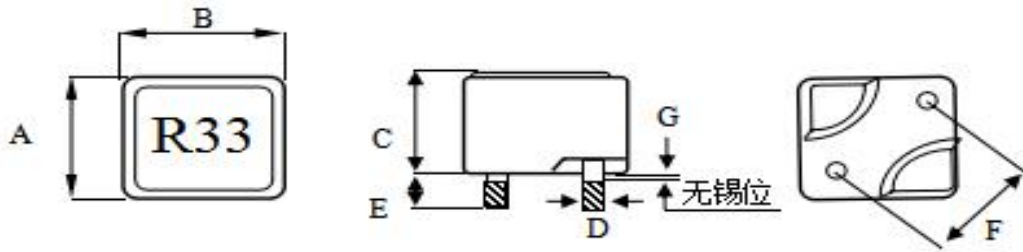
Note 3: Isat : DC current (A) that will cause Lo to drop approximately 20%

# 深圳市华利进电子有限公司

Shenzhen huali jin electronics co., LTD

DIP POWER INDUCTORS: HLJ1010X-Series

1. DIMENSION (UNIT:mm)尺寸:



Series	A: 10.0 ± 0.5	B: 10.0± 0.5	C: 10.0/11.0( Max)		D: By P/N ± 0.1
HLJ1010X-Series	E: 3.4 ± 0.5	F: 7.5 ± 0.5	G: 1.0( Max)		
Part Number	L0 Inductance (µH) ±20%	Heat Rating Current DC Amps.IDC(A)	Saturation Current	DCR MΩ TYPICAL 25 ° C	DCR mΩ MAX ° C 25
			Part Number DC Amps. Isat ( A )		
HLJ1010-R33M-X	0.33	35.0	45.0	0.65	0.75
HLJ1010-R36M-X	0.36	35.0	45.0	0.65	0.75
HLJ1010-R47M-X	0.47	30.0	40.0	0.90	1.10
HLJ1010-R56M-X	0.56	30.0	40.0	0.90	1.10
HLJ1010-R60M-X	0.60	30.0	38.0	0.90	1.10
HLJ1010-1R0M-X	1.00	25.0	31.0	1.50	1.80
HLJ1010-1R5M-X	1.50	21.0	27.0	2.70	3.00
HLJ1011-2R2M-X	2.20	18.0	24.0	3.70	4.00

\*: you require another part number please contact with us.

\*\*: Inductance Tolerance ± 20%

Note 1: All test data is referenced to 25°C ambient.

Note 2: Idc : DC current (A) that will cause an approximate ΔT of 40°C

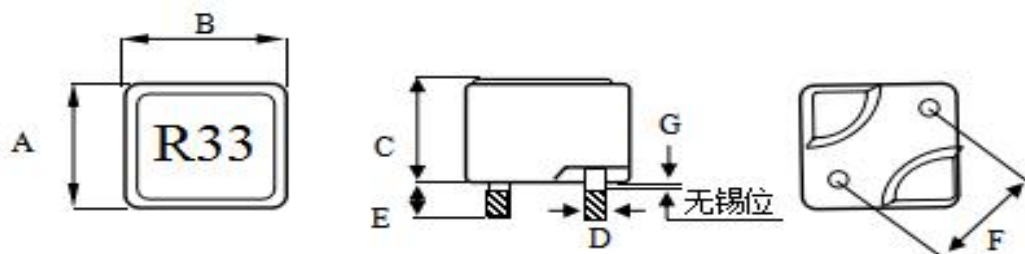
Note 3: Isat : DC current (A) that will cause Lo to drop approximately 20%

# 深圳市华利进电子有限公司

Shenzhen huali jin electronics co., LTD

DIP POWER INDUCTORS: HLJ1109X-Series

1. DIMENSION (UNIT:mm)尺寸:



Series	A: 11.0 ± 0.5	B: 11.0± 0.5	C: 10.0/11.0( Max)	D: By P/N ± 0.1	
HLJ1109X-Series	E: 3.4± 0.5	F: 8.5/9.3± 0.5	G: 1.0( Max)		
Part Number	L0 Inductance (μH) ±20%	Heat Rating Current DC Amps.IDC(A)	Saturation Current	DCR MΩ TYPICAL 25 ° C	DCR mΩ MAX ° C 25
			Part Number DC Amps. Isat ( A )		
HLJ1109-R33M-X	0.33	45.0	70.0	0.56	0.80
HLJ1109-R36M-X	0.36	45.0	60.0	0.56	0.80
HLJ1109-R47M-X	0.47	40.0	50.0	0.75	1.00
HLJ1109-R56M-X	0.56	40.0	50.0	0.75	1.00
HLJ1109-R60M-X	0.60	40.0	50.0	0.75	1.00
HLJ1109-1R0M-X	1.00	25.0	45.0	1.37	1.80
HLJ1110-1R5M-X	1.50	22.0	35.0	1.85	2.50
HLJ1111-1R6M-X	1.60	24.0	30.0	2.60	2.90
HLJ1111-2R2M-X	2.20	15.0	20.0	2.40	3.00
HLJ1109-3R3M-X	3.30	12.0	15.0	4.4	5.5

\*: you require another part number please contact with us.

\*\*: Inductance Tolerance ± 20%

Note 1: All test data is referenced to 25°C ambient.

Note 2: Idc : DC current (A) that will cause an approximate ΔT of 40°C

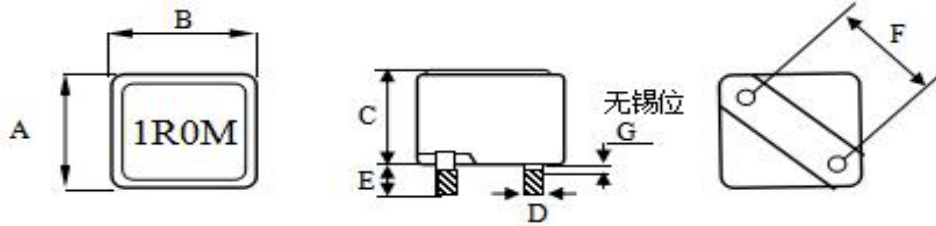
Note 3: Isat : DC current (A) that will cause Lo to drop approximately 20%

# 深圳市华利进电子有限公司

Shenzhen huali jin electronics co., LTD

DIP POWER INDUCTORS: HLJ1110X-Series

1. DIMENSION (UNIT:mm)尺寸:



1R0M字体是钢印

Series	A: 11.0 ± 0.5	B: 11.0± 0.5	10.0( Max)		D: By P/N ± 0.1
HLJ1110X-Series	E: 3.4± 0.5	F: 9.0± 0.5	G: 1.0( Max)		
Part Number	L0 Inductance (μH) ±20%	Heat Rating Current DC Amps.IDC(A)	Saturation Current	DCR MΩ TYPICAL 25 ° C	DCR mΩ MAX 25 ° C
			Part Number DC Amps. Isat ( A )		
HLJ1110-R56M-X	0.56	40.0	50.0	0.75	1.00
HLJ1110-1R0M-X	1.00	20.0	30.0	1.35	1.80

\*: you require another part number please contact with us.

\*\*: Inductance Tolerance ± 20%

Note 1: All test data is referenced to 25°C ambient.

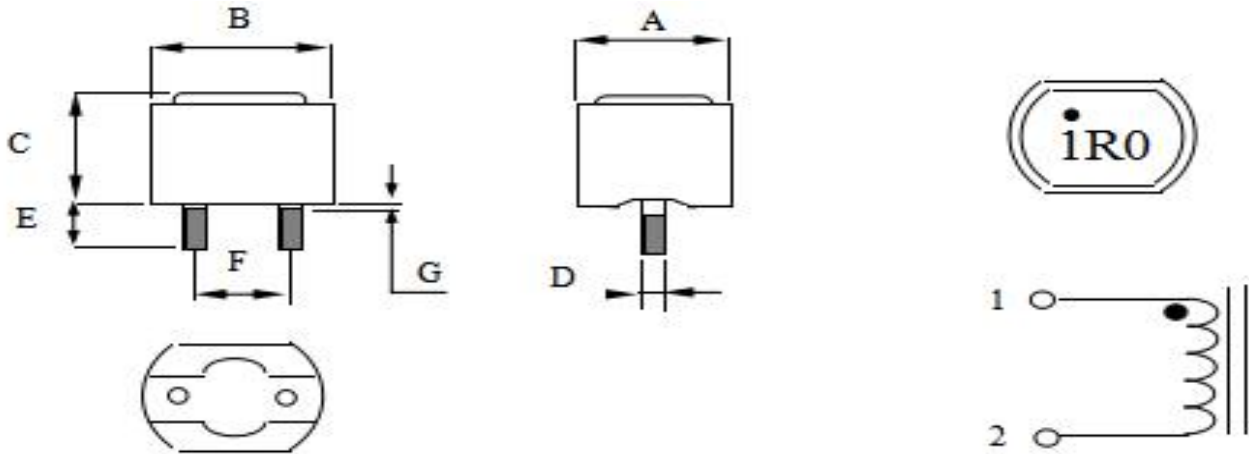
Note 2: Idc : DC current (A) that will cause an approximate ΔT of 40°C

Note 3: Isat : DC current (A) that will cause Lo to drop approximately 20%

# 深圳市华利进电子有限公司

Shenzhen huali jin electronics co., LTD

## DIP POWER INDUCTORS: HLJ1210-Series



Series	A: 10.5 ± 0.5	B: 12.5 ± 0.5	C: 11.0 Max	D: By P/N ± 0.1	E: 3.4 ± 0.5
HLJ1210-Series	F: 8.0/8.5 ± 0.5	G: 1.0Max			
Part Number	L0 Inductance (μH) ±20%	Heat Rating Current DC Amps.IDC(A)	Saturation Current	DCR MΩ TYPICAL 25 ° C	DCR mΩ MAX 25 ° C
			Part Number DC Amps. Isat ( A )		
HLJ1210-R22M	0.22	35.0	45.0	0.39	0.52
HLJ1210-R47M	0.47	28.0	36.0	0.68	0.80
HLJ1210-R56M	0.56	28.0	36.0	0.68	0.80
HLJ1210-R68M	0.68	26.0	32.0	0.75	0.88
HLJ1210-1R0M	1.0	21.0	25.0	1.30	2.00
HLJ1210-1R5M	1.5	19.0	24.0	2.10	2.60
HLJ1210-2R2M	2.2	15.0	22.0	2.80	3.30
HLJ1210-3R3M	3.3	11.0	16.0	3.50	4.30
HLJ1210-4R7M	4.7	10.0	14.0	4.70	5.80
HLJ1210-6R8M	6.8	9.5	11.0	8.40	10.00
HLJ1210-100M	10.0	8.5	9.5	13.70	17.00
HLJ1211-150M	15.0	7.5	8.5	17.40	21.00
HLJ1211-220M	22.0	7.0	8.0	24.00	27.00

\*: you require another part number please contact with us.

\*\*: Inductance Tolerance ± 20%

Note 1: All test data is referenced to 25°C ambient.

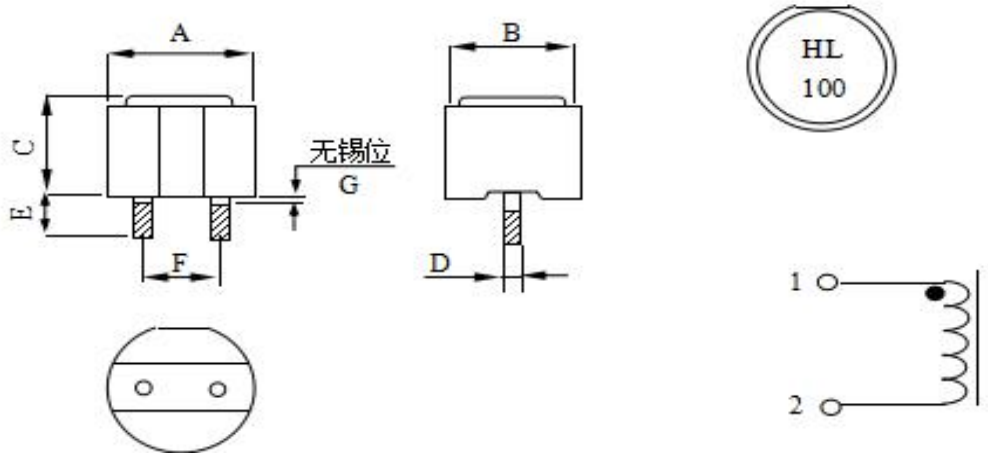
Note 2: Idc : DC current (A) that will cause an approximate ΔT of 40°C

Note 3: Isat : DC current (A) that will cause Lo to drop approximately 20%

# 深圳市华利进电子有限公司

Shenzhen huali jin electronics co., LTD

## DIP POWER INDUCTORS: HLJ1215-Series



Series	A: 13.0 (MAX)	B: 11.9 (MAX)	C: 15.0 (Max)	D: By P/N ± 0.1	
HLJ1215-Series	E: 3.4 ± 0.5	F: 6.0 ± 0.5	G: 1.0 (Max)		
Part Number	L0 Inductance (μH) ±20%	Heat Rating Current DC Amps.IDC(A)	Saturation Current	DCR MΩ TYPICAL 25 ° C	DCR mΩ MAX 25 ° C
			Part Number DC Amps. Isat ( A )		
HLJ1215-100M	10.00	12.0	14.0	11.2	13.0
HLJ1215-150M	15.00	11.0	8.0	15.0	17.0
HLJ1215-220M	22.00	10.0	6.0	19.0	21.0

\*: you require another part number please contact with us.

\*\*: Inductance Tolerance ± 20%

Note 1: All test data is referenced to 25°C ambient.

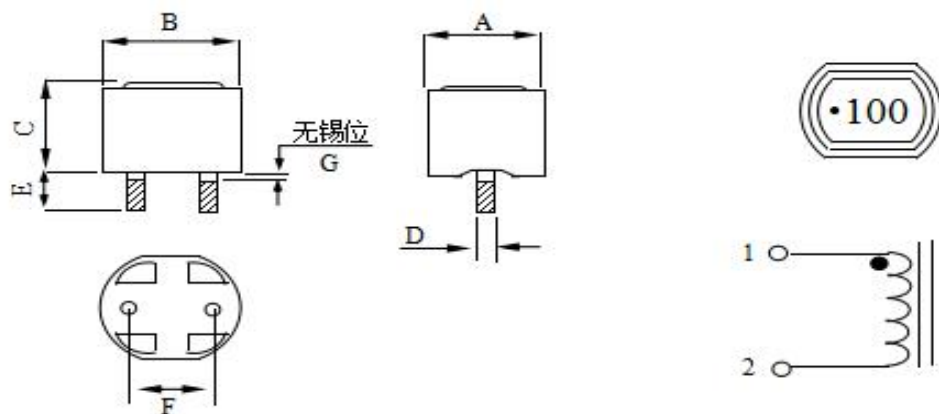
Note 2: Idc : DC current (A) that will cause an approximate ΔT of 40°C

Note 3: Isat : DC current (A) that will cause Lo to drop approximately 20%

# 深圳市华利进电子有限公司

Shenzhen huali jin electronics co., LTD

## DIP POWER INDUCTORS: HLJ1312-Series



Series	A: 12.5 ± 0.5	B: 13.5 ± 0.5	C: 12.0 Max	D: By P/N ± 0.1	E: 3.4 ± 0.5
HLJ13-Series	F: 7.5 ± 0.5	G: 1.0Max			
Part Number	L0 Inductance (μH) ±20%	Heat Rating Current DC Amps.IDC(A)	Saturation Current	DCR MΩ TYPICAL 25 ° C	DCR mΩ MAX 25 ° C
			Part Number DC Amps. Isat ( A )		
HLJ1312-100M-A1	10.0	10.0	13.0	10.00	15.00
HLJ1312-150M-T	15.0	9.5	10.0	12.60	18.00

\*: you require another part number please contact with us.

\*\*: Inductance Tolerance ± 20%

Note 1: All test data is referenced to 25°C ambient.

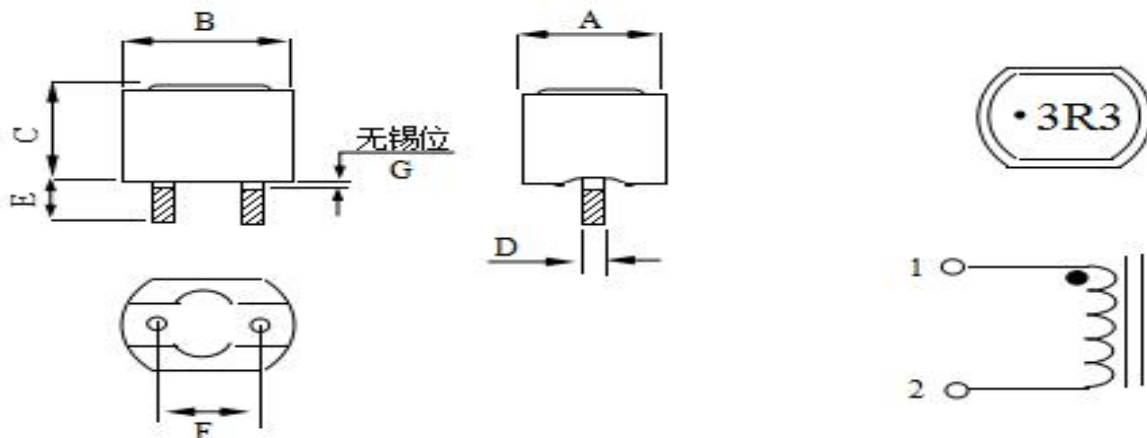
Note 2: Idc : DC current (A) that will cause an approximate ΔT of 40°C

Note 3: Isat : DC current (A) that will cause Lo to drop approximately 20%

# 深圳市华利进电子有限公司

Shenzhen huali jin electronics co., LTD

## DIP POWER INDUCTORS: HLJ1316-Series



Series	A: 13.3Max	B: 14.6Max	C: 16.9 Max	D: By P/N $\pm 0.1$	E: $3.4 \pm 0.5$
HLJ1316-Series	F: $8.0 \pm 0.5$	G: 1.0Max			
Part Number	L0 Inductance ( $\mu\text{H}$ ) $\pm 20\%$	Heat Rating Current DC Amps.IDC(A)	Saturation Current	DCR $\text{M}\Omega$ TYPICAL 25 ° C	DCR $\text{m}\Omega$ MAX 25 ° C
			Part Number DC Amps. Isat ( A )		
HLJ1316-3R3M	3.3	15.0	20.0	3.60	4.30
HLJ1316-4R7M	4.7	14.0	17.0	4.90	5.70
HLJ1316-5R6M	5.6	14.0	16.0	5.23	6.00
HLJ1316-6R8M	6.8	13.0	17.0	7.42	8.50
HLJ1316-100M	10.0	10.0	13.0	10.38	12.80
HLJ1316-150M	15.0	10.0	12.0	15.00	19.00
HLJ1316-220M	22.0	8.0	7.5	17.50	21.00
HLJ1316-330M	33.0	7.0	7.5	27.80	33.00
HLJ1317-100M	10.0	11.0	16.0	8.35	10.00
HLJ1316-150M-1	15.0	10.0	14.0	14.60	19.00

\*: you require another part number please contact with us.

\*\*: Inductance Tolerance  $\pm 20\%$

Note 1: All test data is referenced to 25°C ambient.

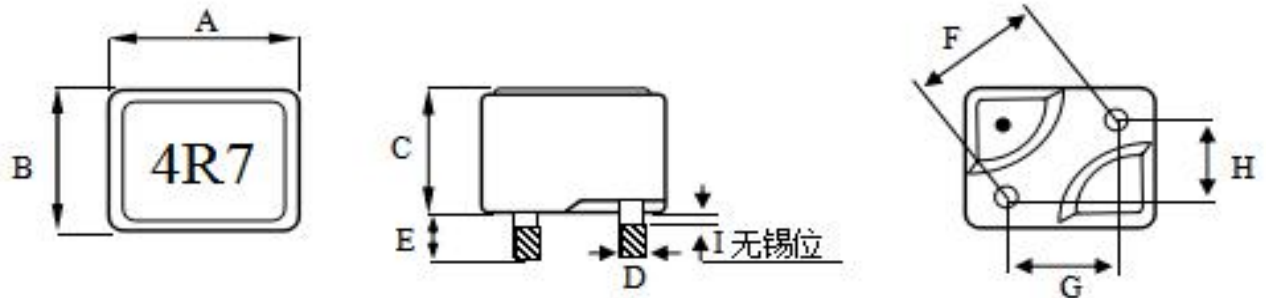
Note 2: Idc : DC current (A) that will cause an approximate  $\Delta T$  of 40°C

Note 3: Isat : DC current (A) that will cause Lo to drop approximately 20%

# 深圳市华利进电子有限公司

Shenzhen huali jin electronics co., LTD

DIP POWER INDUCTORS: HLJ1312X-Series



Series	A: 13.0 ± 0.5	B: 12.0± 0.5	C: 12.0( Max)	D: By P/N ± 0.1	
HLJ1312X-Series	E: 3.4 ± 0.5	F: 10.0 ± 0.5	G: 1.0( Max)		
Part Number	L0 Inductance (μH) ±20%	Heat Rating Current DC Amps.IDC(A)	Saturation Current Part Number DC Amps. Isat ( A )	DCR MΩ TYPICAL 25 ° C	DCR mΩ MAX ° C 25
HLJ1312-R33M-X	0.33	40.0	60.0	0.55	0.70
HLJ1312-R56M-X	0.56	40.0	60.0	0.68	0.90
HLJ1312-R68M-X	0.68	40.0	50.0	0.86	1.10
HLJ1312-R80M-X	0.80	40.0	50.0	0.86	1.10
HLJ1312-1R0M-X	1.00	30.0	50.0	1.20	1.35
HLJ1312-1R5M-X	1.50	30.0	35.0	1.56	1.80
HLJ1312-2R2M-X	2.20	23.0	28.0	2.46	3.00
HLJ1312-3R3M-X	3.30	20.0	22.0	2.95	3.50
HLJ1312-4R7M-X	4.70	17.0	19.0	4.08	5.00

\*: you require another part number please contact with us.

\*\*: Inductance Tolerance ± 20%

Note 1: All test data is referenced to 25°C ambient.

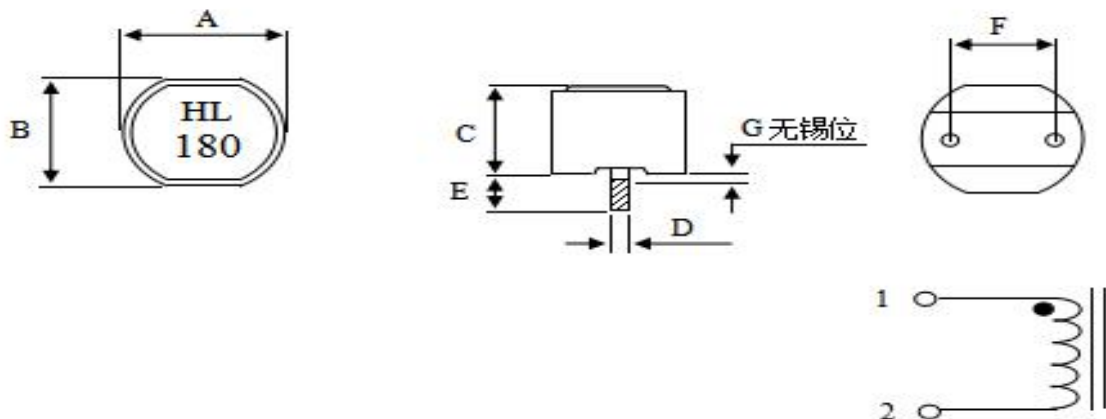
Note 2: Idc : DC current (A) that will cause an approximate ΔT of 40°C

Note 3: Isat : DC current (A) that will cause Lo to drop approximately 20%

# 深圳市华利进电子有限公司

Shenzhen huali jin electronics co., LTD

DIP POWER INDUCTORS: HLJ15-Series



Series	A: 15.0 ± 0.5	B: 14.5 ± 0.5	C: 12 - 17mm(By)	D: By P/N ± 0.1	E: 3.4 ± 0.5
HLJ15-Series	F: 9.5 ± 0.5	G: 1.0Max			
Part Number	L0 Inductance (μH) ±20%	Heat Rating Current DC Amps.IDC(A)	Saturation Current	DCR MΩ TYPICAL 25 ° C	DCR mΩ MAX 25 ° C
			Part Number DC Amps. Isat ( A )		
HLJ1512-6R8M	6.8	14.0	20.0	5.83	6.50
HLJ1512-220M	22.0	7.0	9.0	18.80	24.00
HLJ1512-330M	33.0	6.0	8.0	29.04	35.00
HLJ1515-100M	10.0	15.0	11.0	6.60	7.50
HLJ1518-4R7M	4.7	17.0	22.0	3.96	4.70
HLJ1518-180M	18.0	13.0	9.0	10.00	14.00
HLJ1518-220M	22.0	9.0	9.0	18.80	24.00

\*: you require another part number please contact with us.

\*\*: Inductance Tolerance ± 20%

Note 1: All test data is referenced to 25°C ambient.

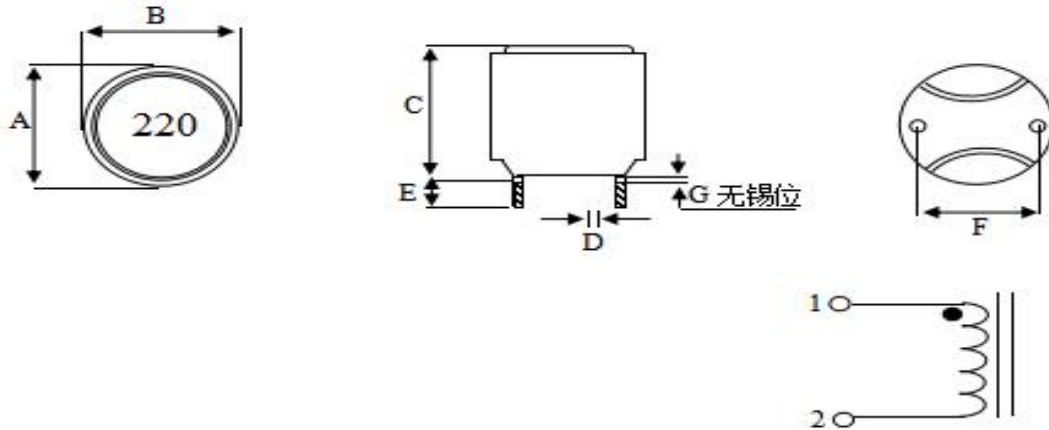
Note 2: Idc : DC current (A) that will cause an approximate ΔT of 40°C

Note 3: Isat : DC current (A) that will cause Lo to drop approximately 20%

# 深圳市华利进电子有限公司

Shenzhen huali jin electronics co., LTD

## DIP POWER INDUCTORS: HLJ16-Series



Series	A: 16.0 ± 0.5	B: 16.0 ± 0.5	C: 17.0 MAX	D: By P/N ± 0.1	E: 3.4 ± 0.5
HLJ16-Series	F: 12 ± 0.5	G: 1.0Max			
Part Number	L0 Inductance (μH) ±20%	Heat Rating Current DC Amps.IDC(A)	Saturation Current	DCR MΩ TYPICAL 25 ° C	DCR mΩ MAX 25 ° C
			Part Number DC Amps. Isat ( A )		
HLJ1616-100M	10.0	15.0	25.0	13.1	14.0
HLJ1616-150M	15.0	13.0	23.0	15.7	18.0
HLJ1616-220M	22.0	17.0	15.0	9.07	10.50

\*: you require another part number please contact with us.

\*\* : Inductance Tolerance ± 20%

Note 1: All test data is referenced to 25°C ambient.

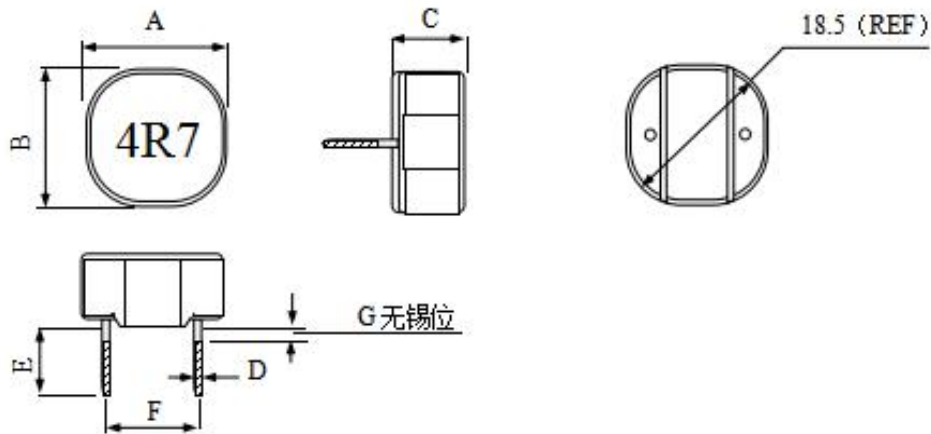
Note 2: Idc : DC current (A) that will cause an approximate ΔT of 40°C

Note 3: Isat : DC current (A) that will cause Lo to drop approximately 20%

# 深圳市华利进电子有限公司

Shenzhen huali jin electronics co., LTD

## DIP POWER INDUCTORS: HLJ18-Series



Series	A: 17.8 (MAX)	B: 17.8 (MAX)	C: 12.0 (Max)		D: By P/N ± 0.1
HLJ18-Series	E: 3.4 ± 0.5	F: 13.0 ± 0.5	G: 1.0 (Max)		
Part Number	L0 Inductance (μH) ± 20%	Heat Rating Current DC Amps.IDC(A)	Saturation Current	DCR MΩ TYPICAL 25 ° C	DCR mΩ MAX ° C 25
			Part Number DC Amps. Isat ( A )		
HLJ1810-3R3M	3.3	20.0	30.0	2.10	2.40
HLJ1810-4R7M	4.7	17.0	26.0	2.50	3.00
HLJ1812-5R6M	5.6	16.0	24.0	3.50	4.60
HLJ1810-100M	10.0	12.0	18.0	7.60	8.60
HLJ1812-120M	12.0	14.0	14.0	5.00	6.00
HLJ1812-150M	15.0	13.0	15.0	8.50	10.00
HLJ1812-220M	22.0	11.0	12.0	12.00	15.00
HLJ1812-330M	33.0	9.0	10.0	18.40	25.00
HLJ1812-470M	47.0	7.0	9.0	26.80	32.00
HLJ1812-680M	68.0	6.0	6.0	35.60	42.00

\*: you require another part number please contact with us.

\*\*: Inductance Tolerance ± 20%

Note 1: All test data is referenced to 25°C ambient.

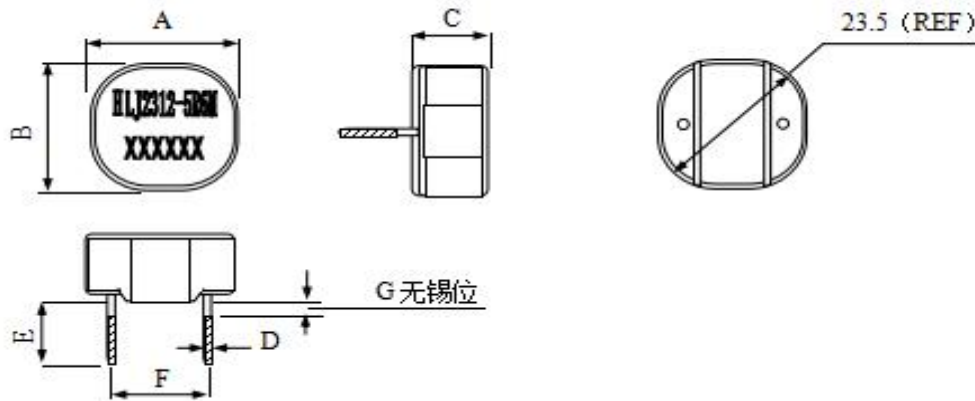
Note 2: Idc : DC current (A) that will cause an approximate ΔT of 40°C

Note 3: Isat : DC current (A) that will cause Lo to drop approximately 20%

# 深圳市华利进电子有限公司

Shenzhen huali jin electronics co., LTD

DIP POWER INDUCTORS: HLJ2312-Series



Series	A: 22.5 (MAX)	B: 22.5 (MAX)	C: 12.0 (Max)	D: By P/N $\pm 0.1$	
HLJ2312-Series	E: $3.4 \pm 0.5$	F: $14.5 \pm 0.5$	G: 1.0 (Max)		
Part Number	L0 Inductance ( $\mu\text{H}$ ) $\pm 20\%$	Heat Rating Current DC Amps.IDC(A)	Saturation Current	DCR $\text{M}\Omega$ TYPICAL $25^\circ\text{C}$	DCR $\text{m}\Omega$ MAX $25^\circ\text{C}$
			Part Number DC Amps. Isat ( A )		
HLJ2312-1R0M	1.0	45	40	0.65	0.73
HLJ2312-2R2M	2.2	36	33	0.88	1.0
HLJ2312-3R3M	3.3	35.0	31.0	1.00	1.30
HLJ2312-4R7M	4.7	32.0	29.0	1.30	1.70
HLJ2312-5R6M	5.6	30.0	27.0	1.70	2.00
HLJ2312-100M	10.0	20.0	18.0	5.50	6.50
HLJ2312-150M	15.0	18.0	16.0	6.50	7.50
HLJ2312-220M	22.0	16.0	14.0	7.80	8.60
HLJ2312-330M	33.0	15.0	12.0	8.90	9.70
HLJ2312-470M	47.0	14.0	10.0	17.00	21.00
HLJ2312-680M	68.0	11.0	9.0	29.00	34.00

\*: you require another part number please contact with us.

\*\* : Inductance Tolerance  $\pm 20\%$

Note 1: All test data is referenced to  $25^\circ\text{C}$  ambient.

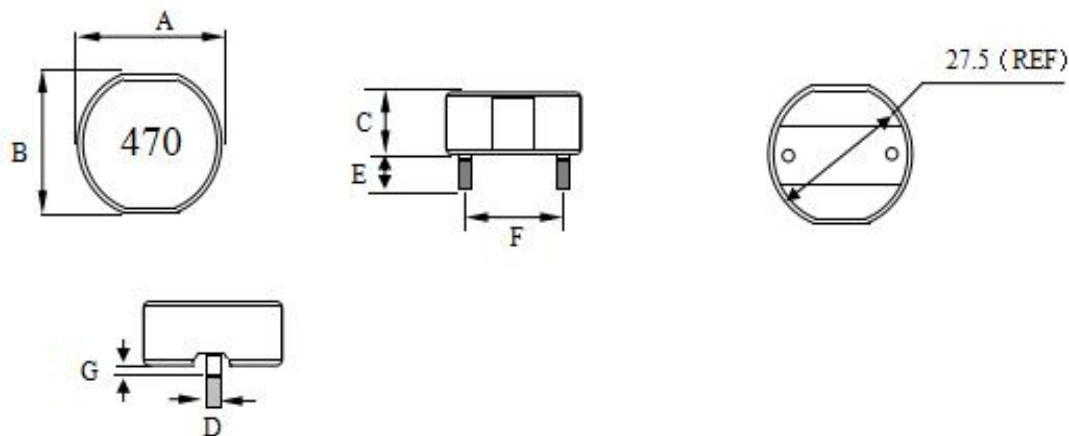
Note 2: Idc : DC current (A) that will cause an approximate  $\Delta T$  of  $40^\circ\text{C}$

Note 3: Isat : DC current (A) that will cause Lo to drop approximately 20%

# 深圳市华利进电子有限公司

Shenzhen huali jin electronics co., LTD

DIP POWER INDUCTORS: HLJ27-Series



Series	A: 27.5 ± 0.5	B: 27 ± 0.5	C: 28.0 (Max)		D: By P/N ± 0.1
HLJ27-Series	E: 5.5 ± 0.5	F: 17.0 ± 0.5	G: 1.0 (Max)		
Part Number	L0 Inductance (μH) ±20%	Heat Rating Current DC Amps.IDC(A)	Saturation Current	DCR MΩ TYPICAL 25 ° C	DCR mΩ MAX ° C 25
			Part Number DC Amps. Isat ( A )		
HLJ2722-220M	22.0	19.0	27.0	8.56	12.0
HLJ2728-220M	22.0	19.0	27.0	8.56	12.0
HLJ2723-470M	47.0	14.0	25.0	22.60	30.00
HLJ2716-201M	200.0	11.0	11.0	43.00	52.00
HLJ2716-251M	250.0	8.0	8.5	52.10	70.00

\*: you require another part number please contact with us.

\*\*: Inductance Tolerance ± 20%

Note 1: All test data is referenced to 25°C ambient.

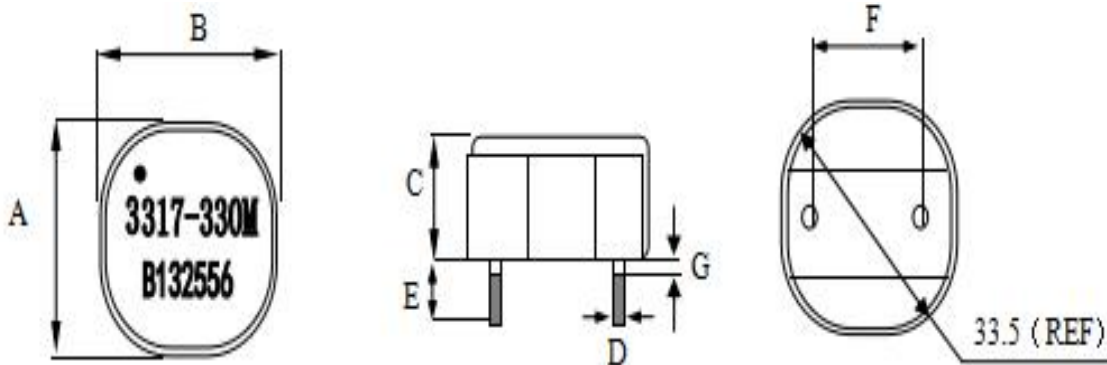
Note 2: Idc : DC current (A) that will cause an approximate ΔT of 40°C

Note 3: Isat : DC current (A) that will cause Lo to drop approximately 20%

# 深圳市华利进电子有限公司

Shenzhen huali jin electronics co., LTD

DIP POWER INDUCTORS: HLJ33-Series



Series	A: 32.0 (Max)	B: 32.0 (MAX)	C: 22.0 ( Max)		D: By P/N ± 0.1
HLJ33-Series	E: 3.5 ± 0.5	F: By P/N ± 0.5	G: 1.0 ( Max)		
Part Number	L0 Inductance (μH) ± 20%	Heat Rating Current DC Amps.IDC(A)	Saturation Current	DCR MΩ TYPICAL 25 ° C	DCR mΩ MAX ° C 25
			Part Number DC Amps. Isat ( A )		
HLJ3316-2R7M	2.7	70.0	50.0	0.77	0.90
HLJ3316-4R7M	4.7	25.0	40.0	1.04	1.15
HLJ3316-5R6M	5.6	25.0	37.0	1.20	1.35
HLJ3316-6R8M	6.8	24.0	34.0	1.40	1.56
HLJ3316-100M	10.0	22.0	24.0	1.80	2.00
HLJ3320-120M	12.0	25.0	30.0	2.27	3.20
HLJ3316-150M	15.0	22.0	22.0	2.00	2.30
HLJ3316-220M	22.0	20.0	20.0	4.60	5.40
HLJ3318-250M	25.0	21.0	27.0	3.67	4.50
HLJ3317-330M	33.0	20.0	38.0	6.45	7.20
HLJ3319-470M	47.0	17.0	25.0	11.36	15.00
HLJ3315-161M	160.0	8.0	8.5	38.50	45.00
HLJ3322-201M	200.0	9.0	8.0	39.45	50.00

\*: you require another part number please contact with us.

\*\*: Inductance Tolerance ± 20%

Note 1: All test data is referenced to 25°C ambient.

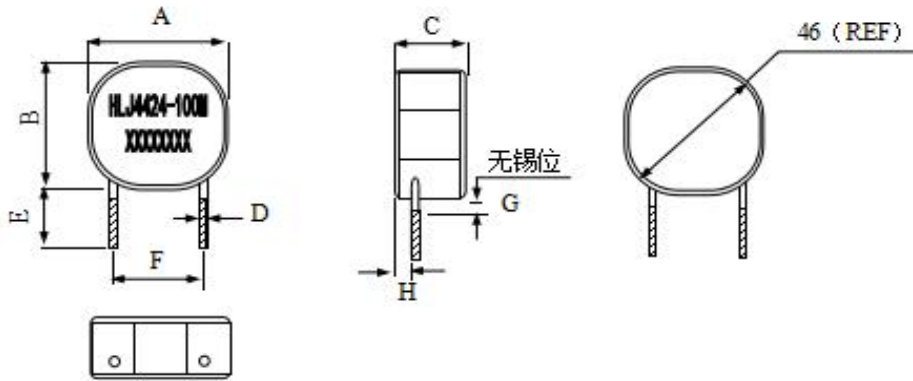
Note 2: Idc : DC current (A) that will cause an approximate ΔT of 40°C

Note 3: Isat : DC current (A) that will cause Lo to drop approximately 20%

# 深圳市华利进电子有限公司

Shenzhen huali jin electronics co., LTD

DIP POWER INDUCTORS: HLJ4424-Series



Series	A: 44.0 ( Max )	B: 44.0 ( Max )	C: 24.0 ( Max )	D: By P/N ± 0.1	
HLJ4424-Series	E: 3.5 ± 0.5	F: 29.0 ± 1.0	G: 1.0 ( Max )		
Part Number	L0 Inductance (μH) ±20%	Heat Rating Current DC Amps.IDC(A)	Saturation Current	DCR MΩ TYPICAL 25 ° C	DCR mΩ MAX ° C
			Part Number DC Amps. Isat ( A )		
HLJ4424-4R7M	4.7	60.0	60.0	0.87	1.0
HLJ4424-100M	10.0	56.0	44.0	1.52	2.0
HLJ4424-180M	18.0	50.0	40.0	2.11	2.50
HLJ4424-220M	22.0	45.0	40.0	2.50	3.00

\*: you require another part number please contact with us.

\*\*: Inductance Tolerance ± 20%

Note 1: All test data is referenced to 25°C ambient.

Note 2: Idc : DC current (A) that will cause an approximate ΔT of 40°C

Note 3: Isat : DC current (A) that will cause Lo to drop approximately 20%